

Firearms Inspector Refresher Training Group 10

M&P Pistol, 870 Shotgun & AR-15 Rifle

September 25-28, 2018

Training Syllabus



William Penn Mott Jr. Training Center



Memorandum

Date: September 17, 2018
To: Supervisor
From: Debbie L. Fredricks, Chief
Training Section
California State Parks
Subject: Employee Attendance at Formal Training

An employee from your office will soon be attending the formal training program described in the attachment. Please ensure that the employee is fully prepared to attend the session and that the groundwork is laid for the employee's implementation of the training upon returning to work. You can assist with capturing the full value of the training by taking the following steps:

Prior to Training

1. Make sure that **specific** employee needs are identified and, if necessary, called immediately to the attention of the Training Coordinator.
2. Review with the employee the reason for the employee's attendance.
3. Review objectives and agenda with the employee.
4. Discuss objectives and performance expected after the training.

Immediately Following Attendance

1. Discuss what was learned and intended uses of the training.
2. Review the employee's assessment of the training program for its impact at the workplace.
3. Support the employee's use of the training at the work place.

Three Months Following Training

1. Supervisor evaluates the effectiveness of the training on the employee's job performance and meets with employee to discuss the evaluation.

Thank you for your assistance in seeing that the full benefit of training is realized.



Debbie L. Fredricks
Training Section Chief

Attachment
cc: Participant

TABLE OF CONTENTS

Formal Training Guidelines	1
Program Attendance Checklist	6
Pre-Training Assignment	7
Post-Training Assignment	9
Diagrams and Function Tests of the Smith & Wesson M&P Pistol	10
Diagrams and Function Tests of the Remington 870 Shotgun	14
Diagrams and Function Tests of the Colt AR-15 Rifle	22
Agenda	31
Program Purpose and Objectives	33
Firearms Inspector – Expanded Course Outline	37
Location Map	42

Mission Statement Training Section

***The mission of the Training Section is to improve
organizational and individual performance and productivity
through consulting, collaboration, training, and development.***

MOTT TRAINING CENTER STAFF

Debbie L. Fredricks..... Training Section Chief
Ann D. Slaughter.....Mott Training Center Manager
Eric Marks.....Leadership and Development Manager
Jack Futoran EMS and LFG Training Coordinator
Jeff Beach..... Training Consultant
Dave Galanti Training Consultant
Karyn Lombard Training Consultant
Sara M. Skinner Training Consultant
Vernon Reyes Instructional Designer
Jason Smith Academy Coordinator
Matt Cardinet Cadet Training Officer
Jeremy Alling Cadet Training Officer
Raymund Nanadiego Cadet Training Officer
Lisa Anthony Program Coordinator
Edith Alhambra Assistant Program Coordinator
Jessica Kohls..... Assistant Program Coordinator
Nate Steffen..... Assistant Program Coordinator
Pamela Yaeger Assistant Program Coordinator

THE MISSION

of the California Department of Parks and Recreation is to provide for the health, inspiration and education of the people of California by helping to preserve the state's extraordinary biological diversity, protecting its most valued natural and cultural resources, and creating opportunities for high quality outdoor recreation.



FORMAL TRAINING GUIDELINES

Welcome to formal training, an essential component in your career development.

Since 1969, our Department has been providing a continuously changing number of diverse training programs at its main training facility, the William Penn Mott Jr. Training Center, and other locations including Marconi Conference Center. The Department strives to enhance your learning and job performance with formal training of the highest quality.

Our Department's dedication to training is only one aspect of its commitment to you and to the public. This commitment is costly and represents an important investment in you and your career. You and the Department realize a return on that investment by your positive participation in formal training itself and post training follow-through.

The program you will be participating in is described in this training syllabus, which outlines what you can expect from this training and what is expected of you. This syllabus details what you should do before you leave for training; what to do when you arrive; what you will be doing while in training; and, importantly, what you should be able to do when you return to your work site. Specifically:

1. **SYLLABUS:** The syllabus is now accessible on the Employee Training Management System (ETMS) and on the Parks and Recreation website under the Learning/Training Section. Your copy of this syllabus is an important part of your training experience and should be brought with you to training. Read it before you arrive and review it following the program along with material you received at training.
2. **PRE-TRAINING ASSIGNMENTS:** Your completion of pre-training assignments is essential to the success of your training. You are responsible for all reading assignments in preparation for classroom sessions. Time will be provided during working hours to accomplish any assignments which involve either individual or group efforts and resources.

3. TRAVEL: Arrange your travel to and from the training through your District or Office. (No reimbursement for travel expense - including per diem costs - will be approved for travel not specifically authorized in advance by the District Superintendent.) Individuals may claim reimbursement for incidental expenses incurred as outlined in DAM 0410.6. The Mott Training Center does not have the capability to provide transportation to/from Monterey airport.

The cost of your travel (airfare, mileage, rental car, etc.) is paid by your District or Office **to** and **from** the location of the training.

4. HOUSING: Housing will be assigned to you and will be available from 3:00 p.m. on the date of arrival to 12:00 noon on the date of departure. The Department provides your room and board expenses at the Mott Training Center only. No per diem allowance will be authorized for living off-grounds. This does not preclude living off-grounds at your own expense. Advise the Department Training Specialist no later than two weeks before your scheduled arrival if you plan to live off-grounds. No animals are permitted in Asilomar housing. In the event of an emergency, staff must know your room assignment; therefore, you may not switch rooms without staff approval. Overnight guests are not allowed in the buildings unless registered beforehand at the front desk in Asilomar's Administration Building. Quiet hour for lodge living areas is 10:00 p.m.

Note: You may be assigned a room at a motel while attending training. If so you may be asked to present a valid credit or debit card while checking in to your room. Many motels require a credit card to cover charges incurred such as telephone calls, damages to rooms and/or furnishings, fees to clean rooms that have been smoked in that are not designated as smoking rooms, etc. Be prepared to handle this appropriately.

5. **ENROLLMENT OR HOUSING CANCELLATION POLICY:** To cancel participation in a course, the participant must have their District Superintendent or Section/Office Manager send an email to the Training Consultant assigned to the course requesting to remove the participant. If you do not need lodging or must change or cancel your reservation for lodging, you must contact the Mott Training Center or Training Consultant assigned to the course at least 2 weeks prior to your date of arrival. Lodging, registration, and associated fees will be charged to the employee's District or Section/Office if a training cancellation is received with less than two weeks' notice.

The Training Section is committed to ensuring that the reservation that has been made for you is accurate and needed.

6. OFF-GROUNDS ACCOMMODATIONS: When authorized to stay off-grounds by the Department Training Consultant, the Mott Training Center will absorb the cost of your room and meals at the current DPR Asilomar rate. If you stay off-grounds and have meals on grounds, the Mott Training Center will authorize only what the Department pays Asilomar for lodging.

7. MEALS: Meals will be provided, semi-cafeteria style, from dinner on the date of arrival through lunch on the date of departure. Meals will be served at 7:15 a.m. for breakfast, 12:00 noon for lunch, and 6:00 p.m. for dinner. Hot or box lunches may be provided on some days. If you require a special diet, contact the Training Consultant Matt Cardinet to request the Asilomar Dietary Restriction form no later than two weeks prior to the course start date. The Training Specialist will forward the form to the appropriate Asilomar Conference Grounds staff.

In order to assist participants with limited mobility, Asilomar provides a shuttle to and from the dining hall. Contact either Asilomar staff upon check-in, or Mott Training Center staff upon your arrival, for instructions on arranging a transport.

8. CLOTHING: Field uniforms as found in “Description of Required Field Uniforms”, DOM Chapter 2300, Uniform Handbooks, will be worn daily by all uniformed employees during formal training sessions **unless otherwise specified in the Program Attendance Checklist**. Non-uniformed employees shall wear apparel normally worn on the job. Appropriate attire includes apparel suitable for professional office dress. It does not include such items as shorts, t-shirts, tank tops, or sandals.

Because we are on the conference grounds with many other groups, and the image we project as State Park employees is important not only during working hours but off duty hours as well, your informal sportswear should be appropriate.

9. ROOM SAFES: Two safes have been installed in each of the lodge rooms used by the Mott Training Center (Live Oak, Tree Tops, and Deer Lodge). These safes are a type that allows the user to input their own combination of numbers to facilitate opening and closing. The Mott Training Center has a master key for emergency entry. Safes are to be left in the open position when checking out of your room.
10. WEAPONS: Weapons are permitted in rooms under the following conditions. Authorized firearms and magazines stored while at the Mott Training Center shall be in a safe condition and stored in one of the following locations: your room safe in Live Oak, Tree Tops, or Deer Lodge, one of the Mott Training Center’s safes in the Whitehead Room or secured in your vehicle.
11. ALCOHOLIC BEVERAGES: Participants shall not possess or consume alcoholic beverages in common areas (living room) while on the Asilomar Conference Grounds unless provided and hosted by Concessionaire ARAMARK.
12. SMOKING: Smoking is not permitted in the Mott Training Center or in any lodge or guest room on the Asilomar Conference Grounds.

13. **TRAINING CENTER:** The Mott Training Center is located on Asilomar Conference Grounds, part of Asilomar State Beach. The Conference Grounds are operated for our Department by a concessionaire, and all lodging and food services are provided to us by employees of the concessionaire. Constant efforts are made to maintain a sound, harmonious working relationship between the Department and concessionaire. None of us can expect preferential treatment for any reason and, as a departmental employee you will be expected to join in our continuing effort toward an effective relationship with each Asilomar concession staff member. On occasion, non-departmental groups may be staying in the same lodges. It is imperative that you represent the Department well on and off duty.
14. **REGISTRATION:** When you arrive at Asilomar Conference Grounds, proceed directly to the front desk at the Asilomar Administration Building for your room key and dining room ticket. If you require vegetarian meals, notify the front desk representative and your meal ticket will be marked accordingly.
15. **COURSE LEADERS:** The formal training you will attend is developed and, for the most part, conducted by experienced State Park employees in field and staff positions. Some courses will be conducted by qualified instructors from other agencies and educational institutions. Your course leaders have proven their ability and knowledge in their profession, and provide a level of expertise difficult to match.
16. **TRAINING SECTION STAFF:** Matt Cardinet is your Training Consultant and has been assigned the responsibility for your training group. That staff member usually serves as a Course Leader as well as a Coordinator. During the program, you may be asked to assist Training Section Staff in the logistics of your training program (organizing field trip transportation, supervising classroom breaks, etc.). Training Section Staff will do all within their power to make your training experience pleasant and meaningful.
17. **TRAINING MATERIALS:** May be made available to you at both your unit and the Mott Training Center. Handout materials issued at your unit should be brought to training for possible use. A conference binder or notebook will be issued to you at the training session for note taking and convenience in handling materials. Bring your own pens and pencils.
18. **ATTENDANCE:** Regular attendance is a critical course requirement and your participation is important to the success of this training. An absence of more than 10% of the course hours constitutes grounds for dropping a participant from the course. The Department Training Consultant may modify this requirement based upon participant knowledge level and/or the portion of the course missed. All absences, except those of an emergency nature, must be approved in advance by the Training Consultant.

19. VEHICLES: All vehicles should be parked in the lots adjacent to the Mott Training Center. Any questions regarding use of a State vehicle while at the Mott Training Center should be discussed with your supervisor prior to your departure for training, or with your Program Coordinator while at the Mott Training Center.
20. BICYCLES: If you bring your bicycle, store it in the bicycle shed next to the Mott Training Center. Bicycles may not be brought into any building nor chained to lamp posts, trees, etc. The Mott Training Center has a limited number of bicycles available for your use. Prior to your use, you are required to complete a safety inspection and sign a waiver which is posted in the bicycle shed.
21. MAIL: Mail forwarded to you during your time at the Center should be addressed to you in care of:

California State Parks
WILLIAM PENN MOTT JR. TRAINING CENTER
PO Box 699, Pacific Grove, CA 93950
22. CELL PHONES: As a courtesy to your fellow participants and course leaders ensure that your cell phone is turned off during classes. Participants should not receive or make cell phone calls during class time. Limit those calls to your breaks.
23. FAX: The Mott Training Center's FAX number is (831) 649-2824.
24. TELEPHONE: Limit phone calls during classroom hours to urgent business or emergencies. Anyone wishing to contact you by telephone during working hours should call the Center at (831) 649-2954. Calls after 5:00 p.m. or during weekends should be made to (831) 372-8016, Asilomar Conference Grounds, and the caller should tell the switchboard operator you are with a California State Parks training group. **Note: There are no longer pay telephones outside of the Mott Training Center. There are pay telephones located at the Asilomar Administration Building.**
25. LAUNDRY AND DRY CLEANING: May be taken care of by you at one of several local establishments.
26. RECREATION: Facilities available on grounds include a heated swimming pool, pool tables, and a volleyball court. The Monterey area offers horseback riding, golf, tennis, racquetball, deep sea fishing, and many historical landmarks and scenic sights to explore.
27. POST-TRAINING ASSIGNMENTS: In connection with formal training are to be completed under the direction of your supervisor.
28. COFFEE BREAK REFRESHMENTS: Will be available throughout each session. You will be asked to contribute to the "Hospitality Fund" to defray expenses. Bring your own coffee cup.

PROGRAM ATTENDANCE CHECKLIST

To assist you in your preparation for formal training sessions at the William Penn Mott Jr. Training Center, the following checklist is provided:

1. Read and understand the Firearms Inspector Training Program syllabus prior to the first scheduled session.
2. Arrange your travel through your Unit/District Office.
3. **Complete the Firearms Inspector Pre-Training Assignment and bring it with you to the first day of class.**
4. Bring the following with you to training:
 - Firearms Inspector Training Program syllabus
 - If you are coming from a district that has had a Firearms Inspector de-certify or retire recently, locate his/her Firearms Inspector tools and bring those to class
 - Body armor, hearing protection, ball cap and safety glasses
 - If attending a refresher course, bring your tools and records
 - Uniforms are not required for this program. Appropriate attire shall be worn (no shorts, t-shirts or open-toe sandals)

Firearms and accessories as listed below:

- Smith & Wesson M&P 40 auto pistol with at least 3 magazines
- Colt AR-15 Rifle with at least 2 magazines
- Remington 870 shotgun
(include original trigger plate pins)
- Shop apron (optional)
- Any malfunctioned or problem weapons from your District
- Reusable coffee cup, refillable water bottle, pens, pencils, and alarm clock

PRE-TRAINING ASSIGNMENTS

The goal of the DPR Armorer/Firearms Inspector Program is to maintain all DPR firearms at the highest level of reliability and serviceability through a coordinated system of preventive maintenance techniques, annual inspections, test firing and when necessary, repairs. The purpose of this training program is to develop your knowledge and level of understanding of how the Smith & Wesson M&P pistol, the Remington 870 shotgun, and the Colt AR-15 rifle function; train you how to correctly perform inspections on all 3 weapons and observe you doing inspections to ensure you are performing those inspections correctly, so that when you complete the training you will perform those inspections with no assistance.

Pre-training Assignments:

- Read and understand the Firearms Inspector Training Program syllabus.
- Prior to class, log into Firearms Armorer Database (FAD) and complete the following:**
 - Input all your inspections and repairs**
 - Run a report of your district and flag any firearms that require inspections or completed inspections entered into FAD. Work with your Lead Firearms Inspector and Armorer to correct as many discrepancies as possible. After correcting discrepancies, rerun the report. Print page and bring to the first day of class.**
 - Use the search page and filter to your district. Sort by firearm type and flag any inventory issues (firearms required to be moved, reassigned, added/deleted/edited, etc.). Work with your Lead Firearms Inspector and Armorer to correct as many discrepancies as possible. After correcting discrepancies, rerun the search. Print page and bring to the first day of class.**
 - Use the search or report functions to verify the “location” is correct for your district’s firearms. Work with your Lead Firearms Inspector and Armorer to correct as many discrepancies as possible. After correcting discrepancies, rerun the report. Print page and bring to the first day of class.**
- Memorize the parts nomenclature for all three firearms; the M&P 40 pistol, 870 shotgun and AR-15 rifle, **before** departing for training. Complete the included nomenclature quiz and bring it on the first day of class.

PRE-TRAINING ASSIGNMENTS

- ❑ Review the Function Tests for pistol, shotgun, and rifle (Student must be able to demonstrate and explain by course end).
- ❑ Bring any problem weapons or weapon parts from your District to training – we will discuss and repair guns/parts during the class.

Study of the part names for the Smith & Wesson M&P pistol, the Remington 870 shotgun and the Colt AR-15 rifle, **prior to** attendance in this Firearms Inspector class **is required**. The student who does not master the part names of these three weapons will find themselves struggling to progress normally through the class and may not successfully complete the program. Once you successfully complete the Firearms Inspector training, identifying the part names will also help you relate and describe a problem when consulting with an Armorer, so that the problem can be properly diagnosed and corrected. In short, these three weapons are the core of the DPR Firearms Inspector Program and identifying the parts and understanding how they function is **the** critical element of this program.

In order to help you memorize the names and appearance of these various parts, some expanded views of the pistol, shotgun and AR-15, along with keys to the identification of these parts are provided in the syllabus. If you are having difficulty visualizing what a part looks like from a diagram, you are encouraged to contact a Firearms Inspector or Armorer in your District to obtain a sample part for you. There are many part names to master, so use whatever learning technique works the best to help memorize the part names, but do not procrastinate or it will become an impossible task. Parts nomenclature will be a part of the written exams for each firearm type with scores of 80% or better required to pass the Firearms Inspector Program. Also, included are practical exams during each firearm block where students will be asked to perform and explain the Function Test on any of the three weapons. There will be several stations where students will be asked to troubleshoot a variety of typical problems in any of the three firearms.

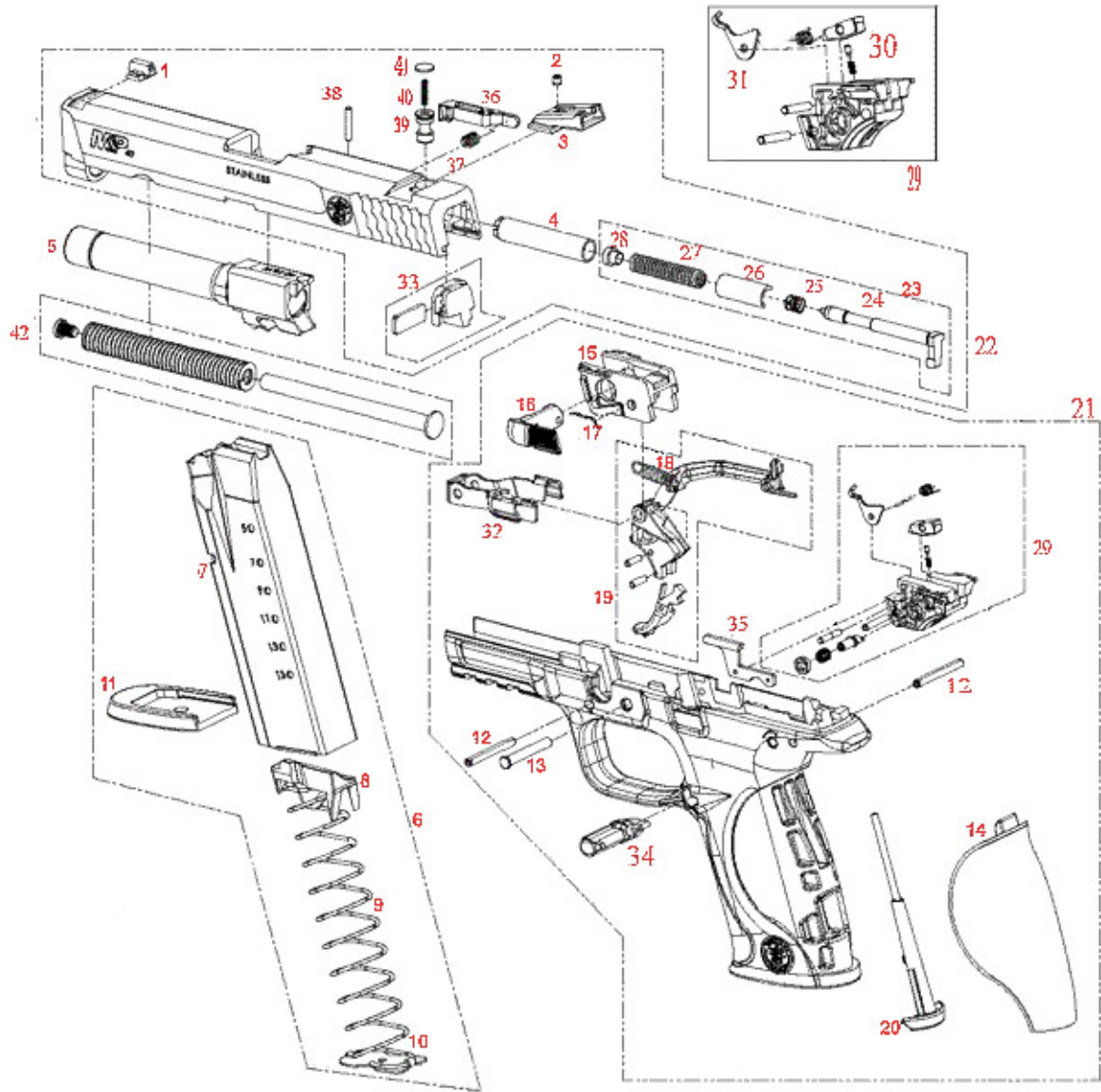
As a DPR Firearms Inspector, you will be required to attend Firearms Inspector Refresher Training (36 hours) on all three weapons, 3 years after your initial training, and every 4 years thereafter. The purpose of the refresher training program is to update you on any new or revised material from the manufacturers since your last training and ensure that your knowledge and skill level are still up to the standard required to remain in the DPR Firearms Inspector Program.

POST-TRAINING ASSIGNMENT

Prior to ninety days after the completion of this program, the employee and his/her supervisor should discuss the impact and assess the effectiveness this program has had on the employee.

The post-training evaluation process is intended to provide a bridge between classroom instruction and the on-the-job application of training. The information obtained through this process will assist the employee, supervisor, and Training Section in providing a return on the training investment to the Department.

SMITH & WESSON M&P PISTOL PARTS DIAGRAM



Revised 8/2/18

SMITH & WESSON M&P 40 PISTOL PARTS LISTING

1. FRONT SIGHT
2. REAR SIGHT SET SCREW
3. REAR SIGHT
4. STRIKER SPRING GUIDE
5. BARREL
6. MAGAZINE ASSEMBLY
7. MAGAZINE TUBE
8. MAGAZINE FOLLOWER
9. MAGAZINE SPRING
10. MAGAZINE BUTT PLATE CATCH
11. MAGAZINE BUTT PLATE
12. COIL PIN (2)
13. TRIGGER HEADED PIN
14. GRIP BACK STRAP
15. LOCKING BLOCK
16. TAKEDOWN LEVER
17. TAKEDOWN LEVER RETAINING WIRE
18. TRIGGER RETURN SPRING
19. TRIGGER BAR ASSEMBLY
20. FRAME TOOL ASSEMBLY
21. FRAME ASSEMBLY
22. SLIDE ASSEMBLY
23. STRIKER ASSEMBLY
24. STRIKER
25. STRIKER RETURN SPRING
26. STRIKER GUIDE
27. STRIKER SPRING
28. STRIKER SPRING KEEPER (S)
29. SEAR HOUSING BLOCK ASSEMBLY
30. SEAR
31. SEAR DEACTIVATION LEVER
32. SLIDE STOP ASSEMBLY
33. SLIDE ENDCAP ASSEMBLY
34. MAGAZINE CATCH ASSEMBLY
35. EJECTOR
36. EXTRACTOR
37. EXTRACTOR SPRING
38. EXTRACTOR PIN
39. STRIKER SAFETY PLUNGER
40. STRIKER SAFETY PLUNGER SPRING
41. STRIKER SAFETY PLUNGER PLATE
42. RECOIL GUIDE ROD ASSEMBLY

DPR M&P PISTOL FUNCTION TEST

(Note: performed after each cleaning and/or disassembly - weapon must pass all checks)

- 1) **Pistol is in a SAFE Condition:** Remove the magazine, lock the slide to the rear and check that the chamber and magazine well to be sure they are **EMPTY**. Double check that the pistol is *UNLOADED!*
Make sure the sear deactivation lever is re-set in the up position.
All magazines are available and empty. No live ammunition nearby.
Check the overall appearance of the pistol for damaged or missing parts – check the left and right side, the top and bottom.

- 2) **Bore Check:** Slide locked to the rear - insert your thumbnail or a piece of white paper into the ejection port to reflect light up through the bore and look down the bore from the muzzle end – *the bore must be clear of obstructions.*
Alternate Method: Slide locked to the rear - run a “Bore Snake” or cleaning rod with a patch down the bore, from the muzzle and out the ejection port to ensure the bore is clear of obstructions.

- 3) **Striker Safety Check:** Pistol at slide-lock. Pull the striker hook to the rear to reset, then push it forward – *striker must not protrude through the breech face.*
Now, depress the striker safety plunger with a drift, a pen or other similar object while you push the striker hook forward – *the striker tip must now protrude through the breech face.*

- 4) **Trigger Safety Check:** Pistol in the “in-battery” position. Press only on the top portion of the trigger – *trigger must not depress into the frame without pulling the lower portion of the trigger.*

- 5) **Trigger Pull/Reset Check:** Pistol in the “in-battery” position, muzzle pointing up. Pull the trigger and hold it to the rear, then slowly pull the slide approximately ½ inch to the rear and release the slide. Now slowly release the trigger and pull it to the rear again – *take up of the trigger should be smooth; the first trigger pull must release the striker; then the slide must move smoothly when pulled to the rear and recover to the in-battery position without assistance; and then the trigger must recover or reset (should hear 2 clicks) and then release the striker again when the trigger is pulled a second time.*

Note: Perform the next 4 checks with all magazines.

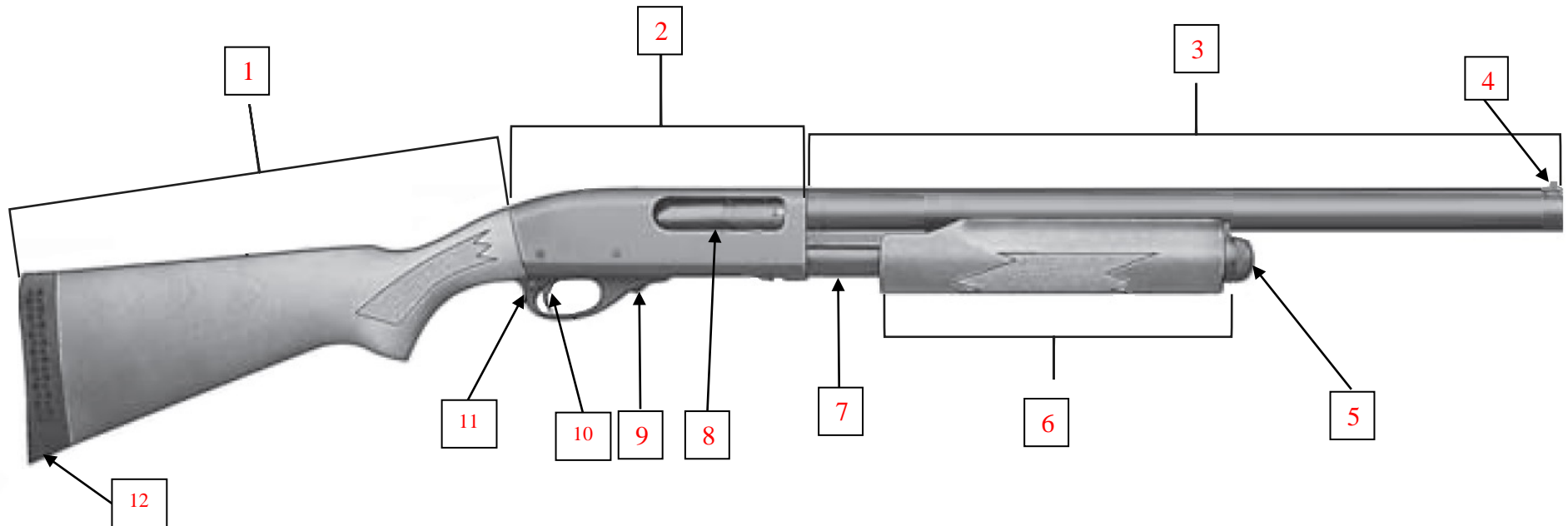
- 6) **Magazines Lock/Release:** Slide closed, insert an empty magazine into the magazine well – *the magazines must lock securely and must fall free when the magazine catch is depressed.*

DPR M&P PISTOL FUNCTION TEST

(Note: performed after each cleaning and/or disassembly - weapon must pass all checks)

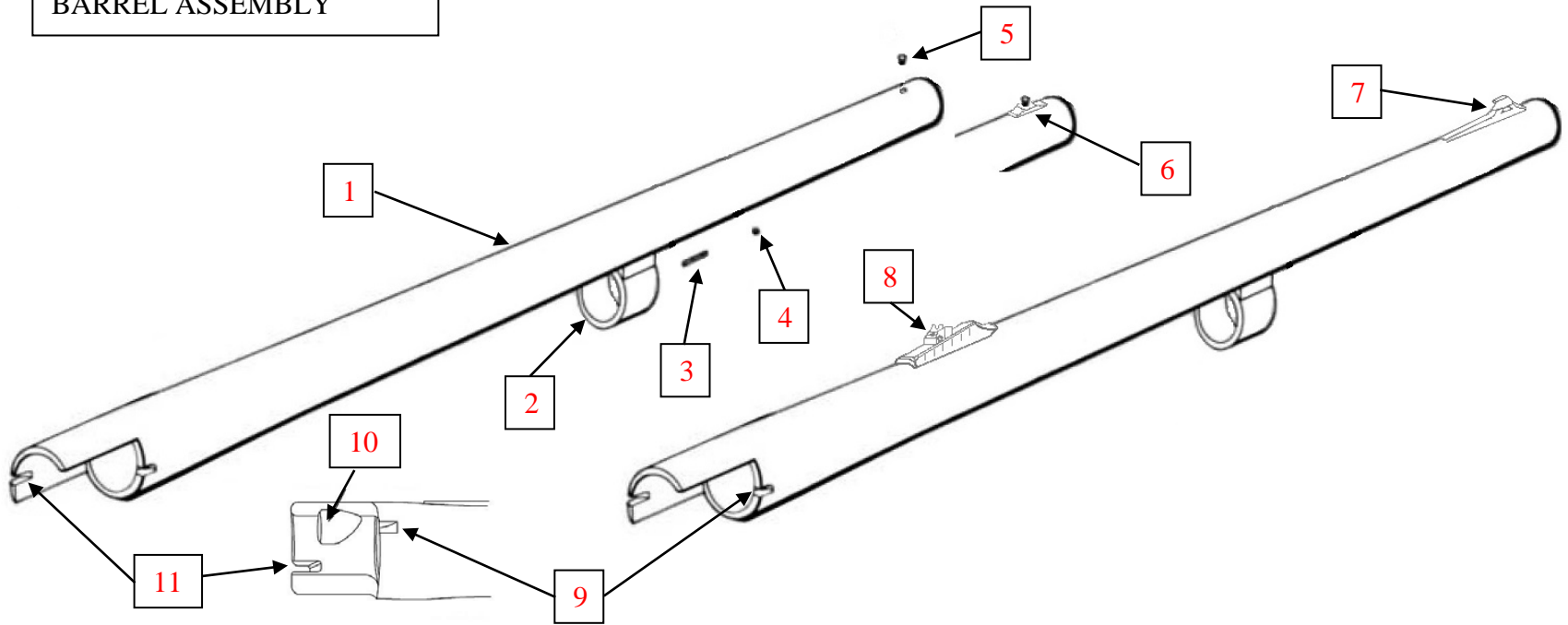
- 7) **Slide Stop Check**: Empty magazine inserted. Pull the slide fully to the rear and release – *the slide stop must self-engage and lock the slide to the rear (open).*
- 8) **Magazine Release Check**: With the slide locked to the rear, push the magazine catch – *the magazine must drop free.*
- 9) **Slide Stop Release Check**: With the magazine removed, now pull the slide to the rear and release – *The slide must release and move forward, unassisted, to a fully-closed/battery position.*
- 10) **Recoil Spring Recovery Check**: Hold the muzzle up and pull the slide ½ inch to the rear and release – *the slide must return unassisted to the in-battery position.*
- 11) **1/4" Disconnect Check (S&W refers to this as the “Slide Out of Battery Check”)**: Slowly move the slide to the rear until the barrel starts to unlock (approx. ¼ inch), now pull the trigger – *the trigger pull must not engage or release the striker.*
- 12) **Pistol is in a SAFE Condition**: Magazine removed, lock the slide to the rear and check the chamber and magazine well to be sure they are EMPTY and the pistol is UNLOADED.
The Function Test is complete.

870 OVERVIEW



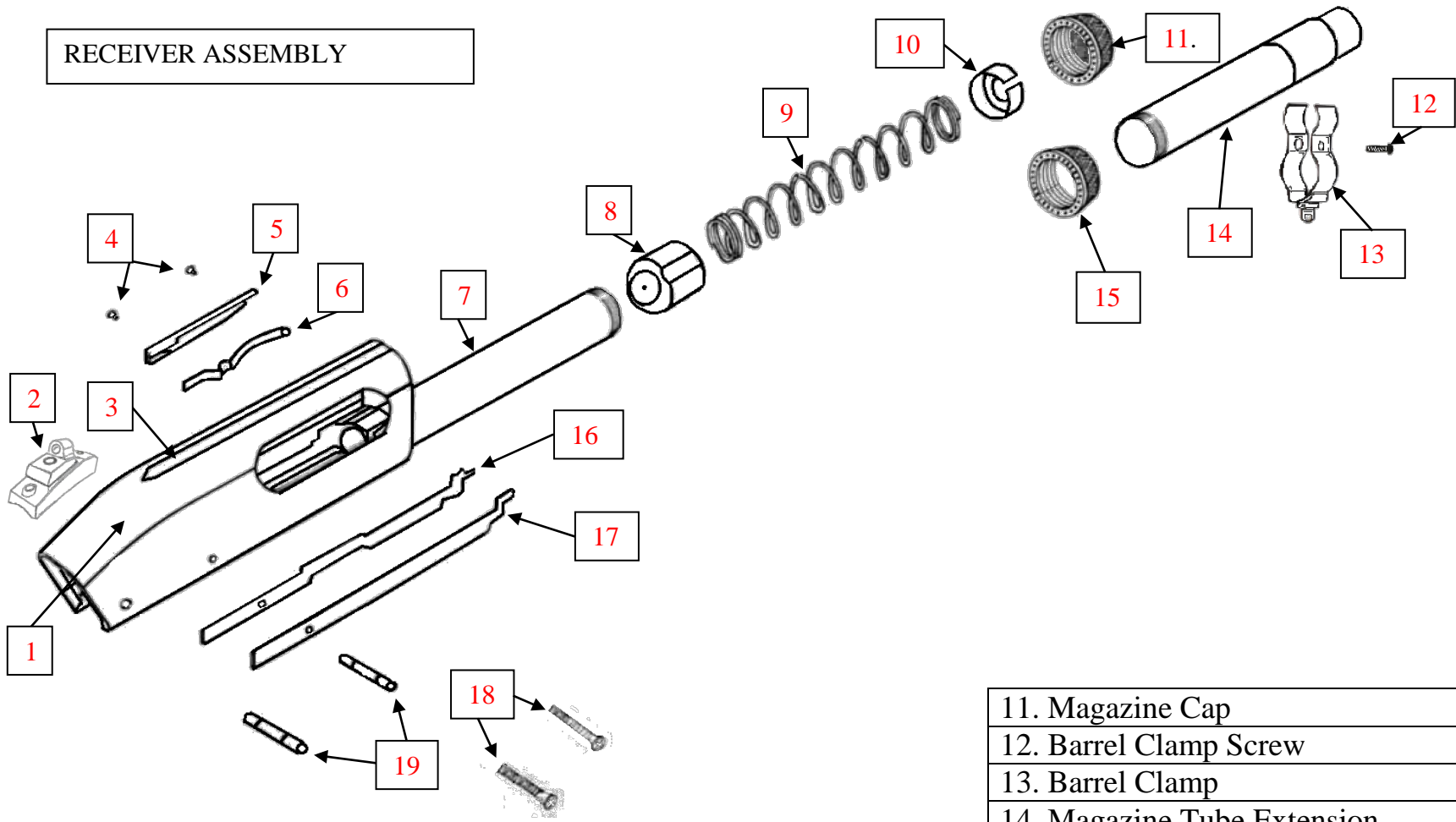
1. Stock Assembly	5. Magazine Cap	9. Action Bar Lock
2. Receiver Assembly	6. Fore-End	10. Trigger Assembly
3. Barrel Assembly	7. Magazine Tube	11. Safety Mechanism
4. Front Sight	8. Bolt Assembly	12. Recoil Pad

BARREL ASSEMBLY



1. Barrel	5. Front Sight (Simple Bead)	9. Extractor Notch
2. Barrel Ring	6. Front Sight (Ramp Bead)	10. Bolt Locking Notch
3. Magazine Cap Detent Spring	7. Front Sight (Rifle, Ghost Ring)	11. Ejector Notch
4. Magazine Cap Detent	8. Rear Sight (Rifle)	

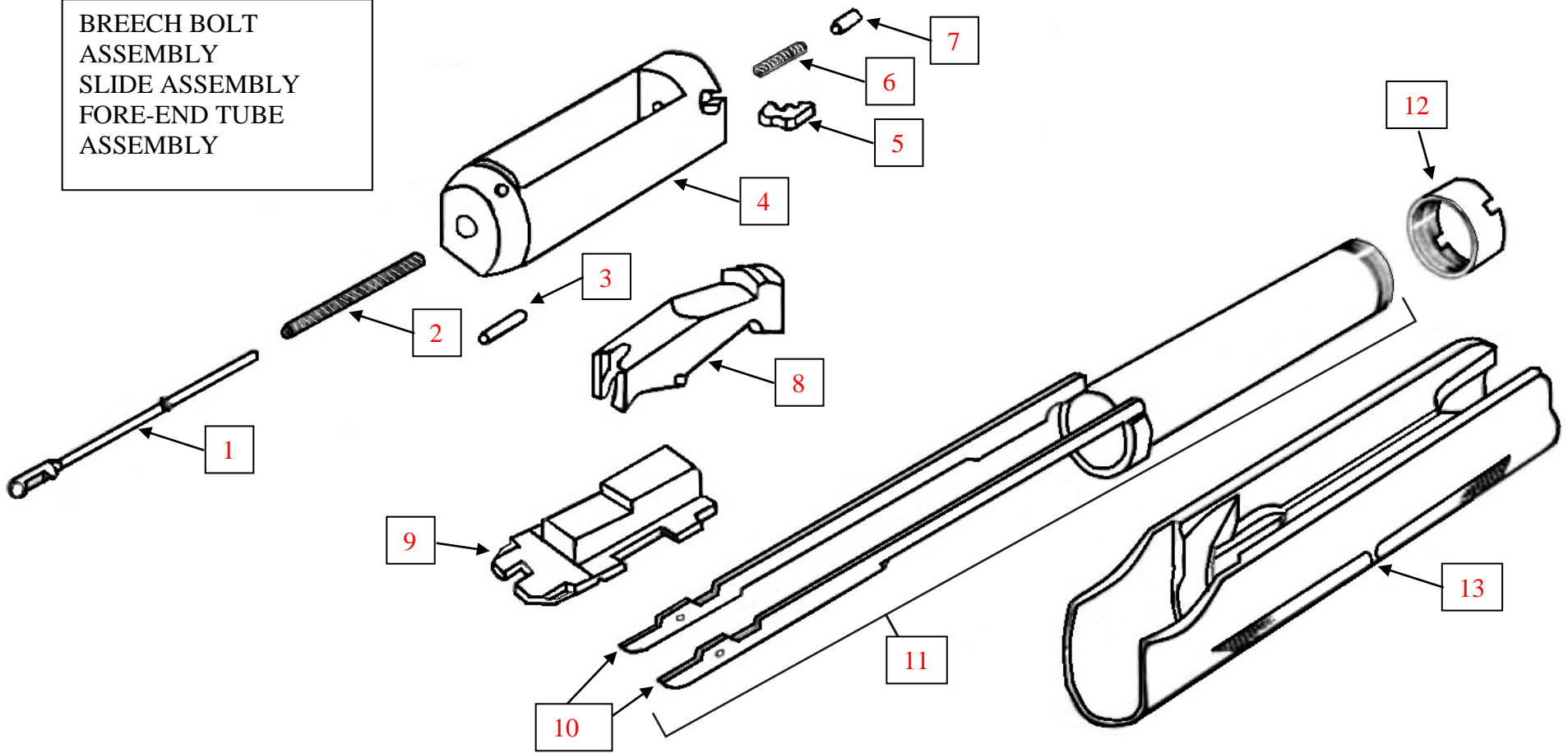
RECEIVER ASSEMBLY



11. Magazine Cap
12. Barrel Clamp Screw
13. Barrel Clamp
14. Magazine Tube Extension

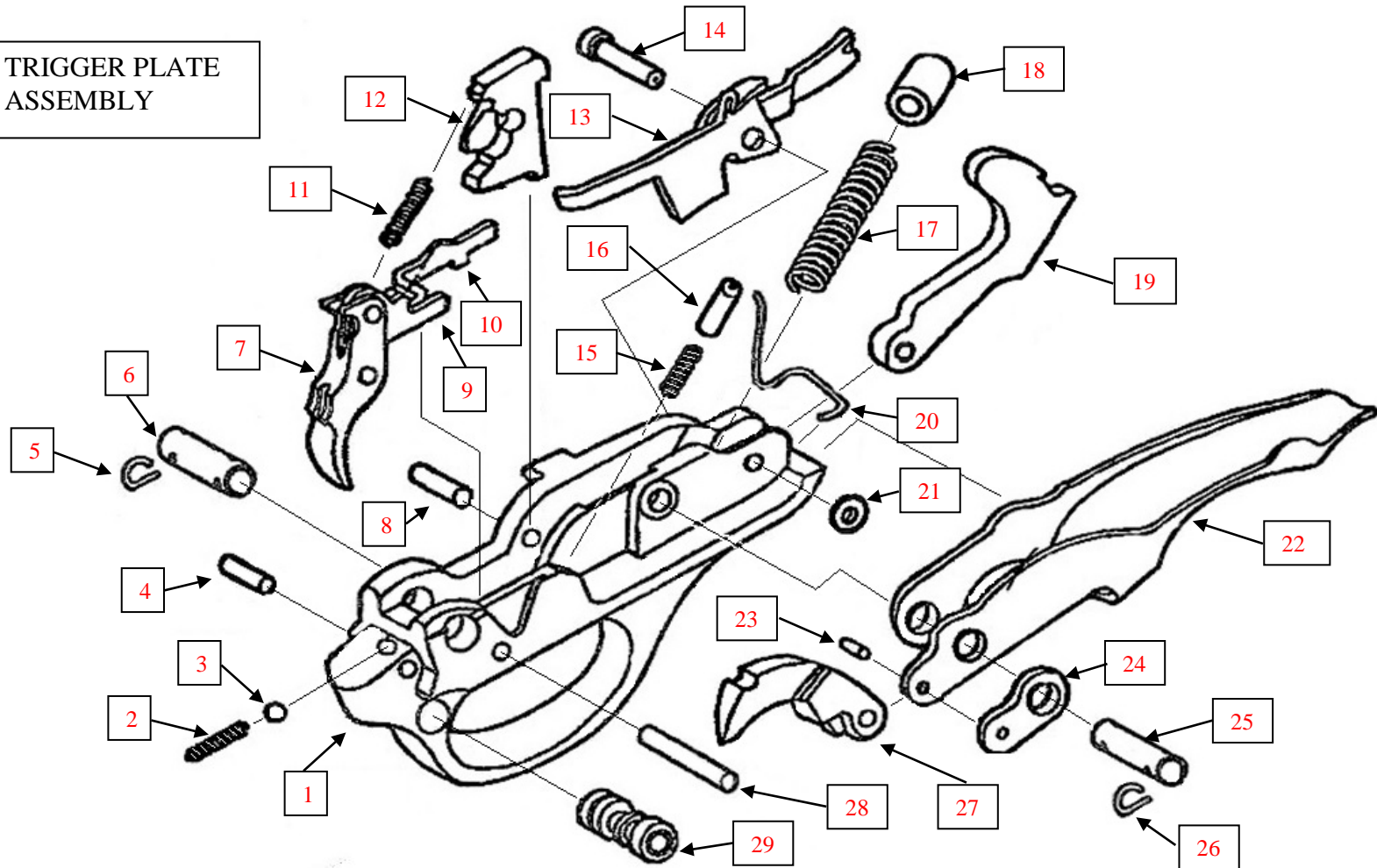
1. Receiver	6. Ejector Spring	15. Magazine Extension Coupler
2. Rear Sight (Ghost Ring)	7. Magazine Tube	16. Left Shell Latch
3. Rear Sight (Ramp/Simple Bead)	8. Magazine Follower (LE)	17. Right Shell Latch
4. Ejector Rivets	9. Magazine Spring	18. Side-Saddle Screws
5. Ejector	10. Magazine Spring Retainer	19. Trigger Plate Pins

BREECH BOLT
ASSEMBLY
SLIDE ASSEMBLY
FORE-END TUBE
ASSEMBLY



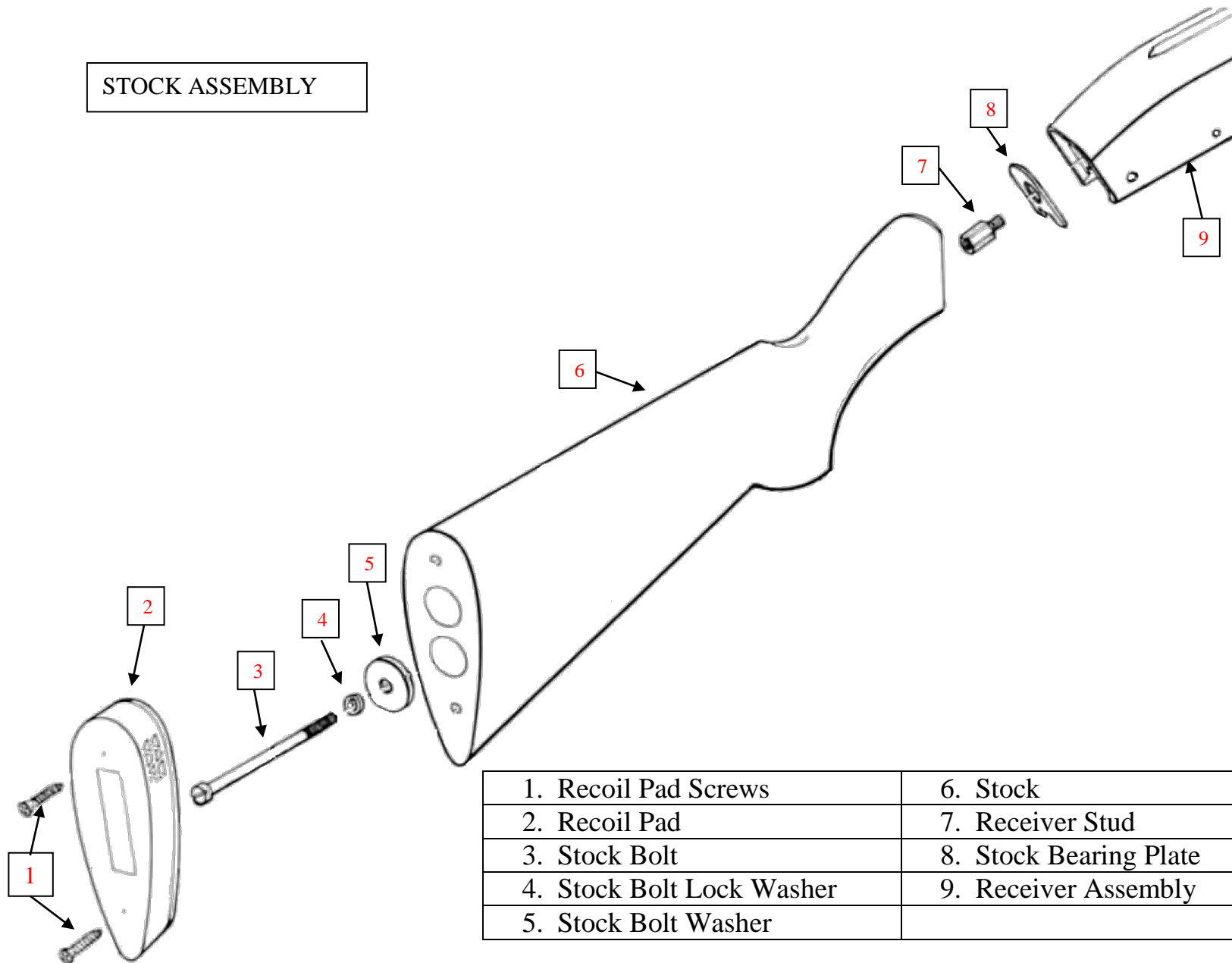
1. Firing Pin	5. Extractor	9. Slide Assembly
2. Firing Pin Retractor Spring	6. Extractor Spring	10. L/R Action Bars
3. Firing Pin Retaining Pin	7. Extractor Plunger	11. Fore-end Tube Assembly
4. Breech Bolt	8. Locking Block Assembly	12. Fore-end Tube Nut
		13. Fore-end

TRIGGER PLATE ASSEMBLY



1. Trigger Plate	8. Sear Pin	15. Carrier Dog Follower Spring	22. Carrier
2. Safety Mechanism (SM) Spring	9. Connector, Right	16. Carrier Dog Follower	23. Carrier Dog Pivot Pin
3. SM Detent	10. Connector, Left	17. Hammer Spring	24. Carrier Dog Washer
4. SM Spring Retaining Pin	11. Sear Spring (Red - LE)	18. Hammer Plunger	25. Carrier Pivot Tube
5. Trigger Plate Pin Detent Spring	12. Sear	19. Hammer	26. Trigger Plate Pin Detent Spring
6. Trigger Plate Pin Bushing	13. Action Bar Lock	20. Action Bar Lock Spring	27. Carrier Dog
7. Trigger/Connector Assembly	14. Hammer Pivot Pin	21. Hammer Pivot Pin Washer	28. Trigger Pivot Pin
			29. Safety Mechanism

STOCK ASSEMBLY



1. Recoil Pad Screws	6. Stock
2. Recoil Pad	7. Receiver Stud
3. Stock Bolt	8. Stock Bearing Plate
4. Stock Bolt Lock Washer	9. Receiver Assembly
5. Stock Bolt Washer	

DPR 870 SHOTGUN FUNCTION TEST

(Note: performed after each cleaning and/or disassembly – weapon must pass all checks)

- 1) **Shotgun is in a SAFE condition:** Safety to the "safe" position, open the action, and check that the magazine tube and the chamber are EMPTY. Double check that the shotgun is **UNLOADED!**
No live ammunition nearby.
Check the overall appearance of the shotgun.
- 2) **Bore Check:** Safety to "safe" position, action open and look down the bore – *the bore must be clear of obstructions.*
Alternate Method: Open the action and run a "Bore Snake" or cleaning rod with a patch down the bore to ensure the bore is clear of obstructions.
- 3) **Action Works Smoothly:** Depress the action bar lock and work the fore-end back and forth several times - *the action must be free of roughness or sticking.*
- 4) **Safety Check:** Move the safety back and forth – *the safety must click into "safe"/"fire" positions.* Move the safety to the "safe" position, pull the trigger – *the hammer must not fall.* Move the safety to the "fire" position, pull the trigger – *the hammer must fall.*
- 5) **Trigger Disconnect Check:** Safety to the "fire" position, open the action, hold the trigger to the rear while closing the action - *weapon must not fire until the trigger is released and then re-pulled.*
- 6) **Action Bar Lock Check:** Safety to the "fire" position, fully close the action, and then without depressing the action bar lock, attempt to pull the fore-end to the rear – *the fore-end must not move to the rear if the action bar lock is working properly.* Next, depress the action bar lock and open the action – *the fore-end must move rearward.* Now, close the action and attempt to pull the fore-end to the rear – *the fore-end must not move to the rear.* Next, pull the trigger and open the action – *the fore-end must move rearward.*
- 7) **Shell Carrier/Shell Latches Check:** Safety to the "safe" position, action closed and invert the shotgun with magazine loading port up. Identify and push up on the shell carrier – *it must be spring-loaded.*
Next, identify and depress the left shell stop (it will be to the right when the shotgun is inverted) – *it should be spring-loaded.* Now, release and open the action a little over half way. Identify and depress the right shell stop - *it should also be spring-loaded.*
- 8) **Magazine Cap/Magazine Follower Check:** Safety to the "safe" position and action open. Check that the magazine cap or magazine extension is tight. Next, identify the orange law enforcement follower - *it must be present and spring loaded.*

DPR 870 SHOTGUN FUNCTION TEST

(Note: performed after each cleaning and/or disassembly – weapon must pass all checks)

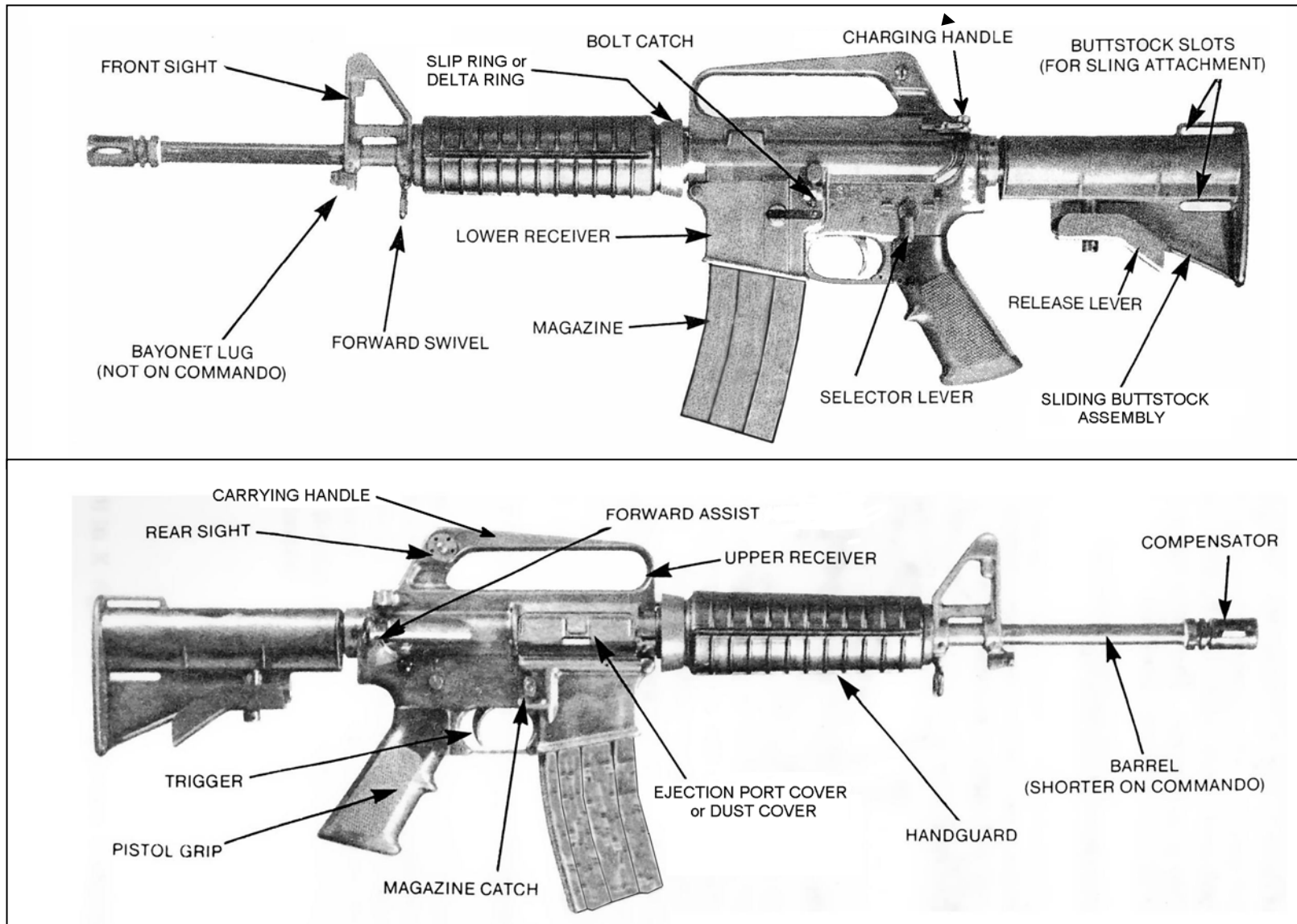
- 9) **Shotgun in a SAFE condition:** Safety to the "safe" position, action open, magazine tube and chamber are EMPTY. The Function Test is complete.

Continue with numbers 10-12, if this is a Pre-Duty Check:

- 10) **Front/Rear Sight Check:** Inspect front and rear sights - *they must be present and in good condition.*
- 11) **Accessories Check:** Inspect accessories: tactical light, tactical sling, and sidesaddle - *they must be in working order.* Tactical sling - *check to ensure proper sizing adjustment for the officer.*
- 12) **Duty Carry Condition:** Safety to "safe" position, action open, check that magazine and chamber are EMPTY. Close the action on an empty chamber, fully load the magazine tube and side saddle and secure the shotgun in vehicle gun lock.

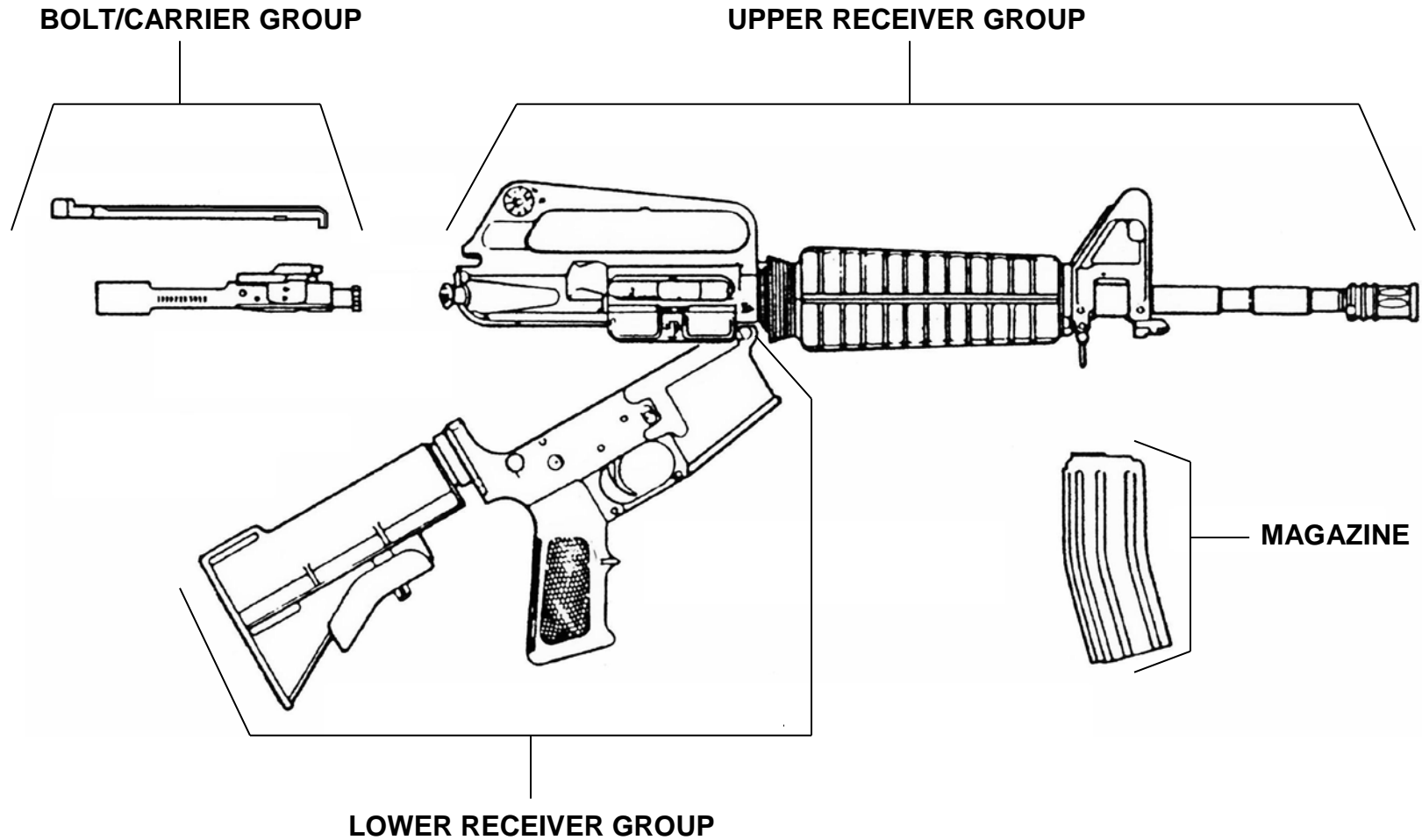
AR-15 EXTERNAL NOMENCLATURE

FOR REFERENCE/STUDY PROPOSES



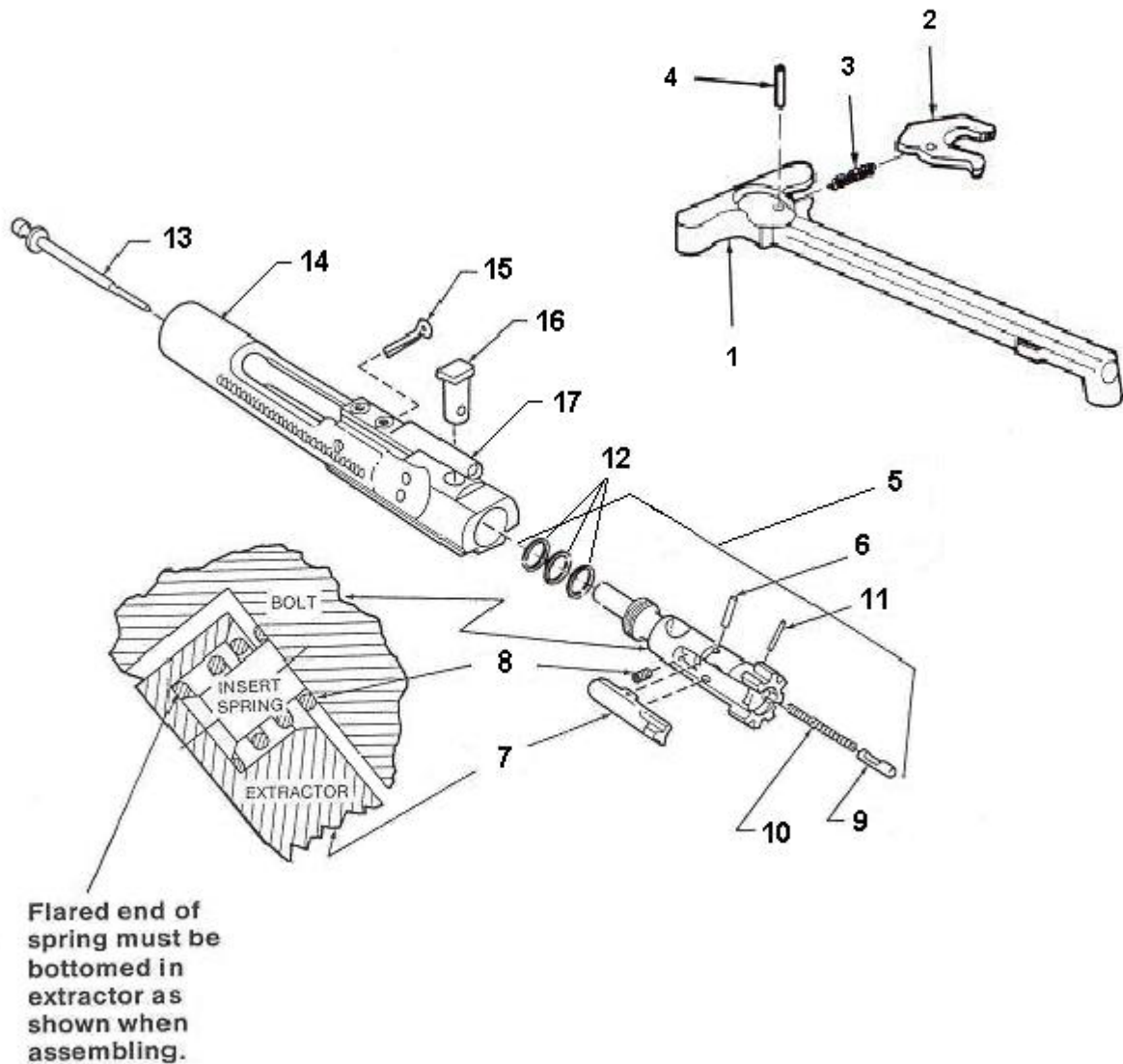
AR-15 MAJOR ASSEMBLY GROUPS

FOR REFERENCE/STUDY PROPOSES



BOLT and BOLT CARRIER GROUP

USE THIS DIAGRAM FOR PRE-TRAINING QUIZ



CHARGING HANDLE ASSEMBLY

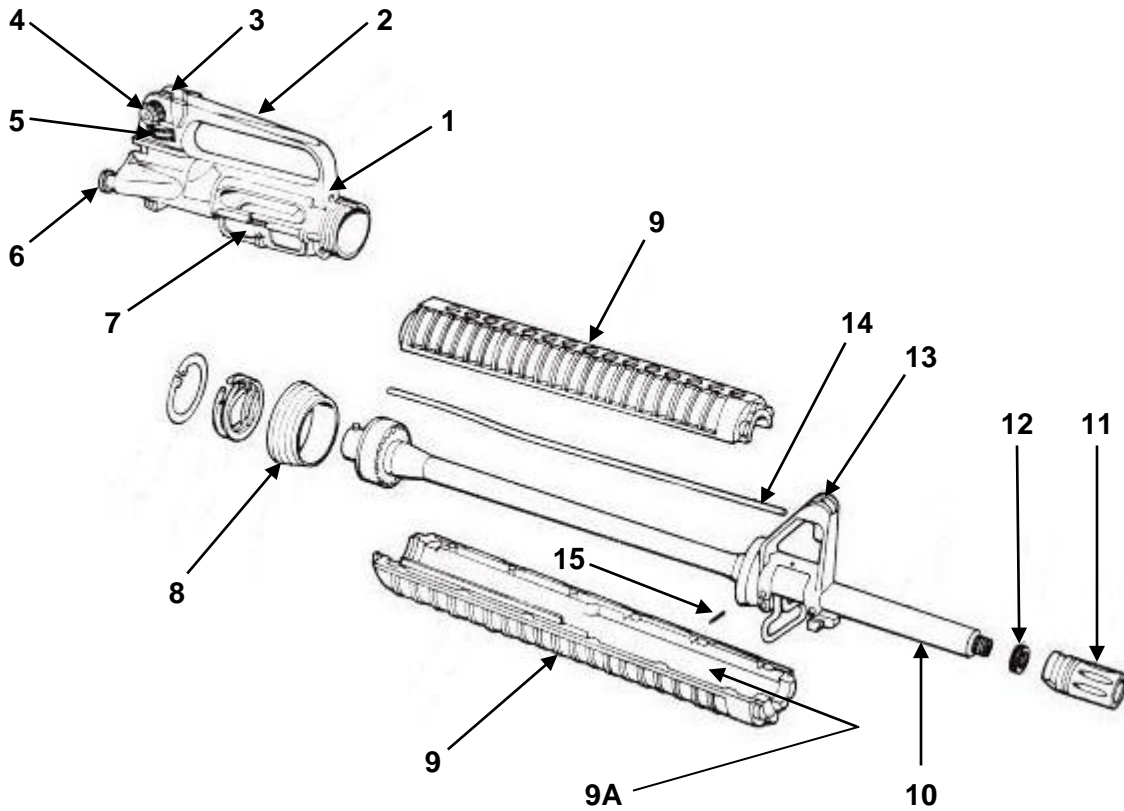
- 1 – Charging Handle (body)
- 2 – Charging Handle Latch
- 3 – Charging Handle Latch Spring
- 4 – Charging Handle Roll Pin

BOLT and BOLT CARRIER ASSEMBLIES

- 5 – Bolt Assembly
- 6 – Extractor Pin
- 7 – Extractor
- 8 – Extractor Spring/Insert
- 9 – Ejector
- 10 – Ejector Spring
- 11 – Ejector Roll Pin
- 12 – Bolt (Gas) Rings (3)
- 13 – Firing Pin
- 14 – Bolt Carrier Assembly
- 15 – Firing Pin Retaining Pin
- 16 – Cam Pin
- 17 – Bolt Carrier Key or Gas Key

UPPER RECEIVER GROUP

USE THIS DIAGRAM FOR PRE-TRAINING QUIZ



- 1 – Upper Receiver Assembly
- 2 – Carrying Handle
- 3 – Rear Sight
- 4 – Windage Knob
- 5 – Elevation Knob
- 6 – Forward Assist
- 7 – Ejection Port Cover or Dust Cover
- 8 – Slip Ring or Delta Ring

- 9 – Handguard Assembly
- 9A – Handguard Heat Shields
- 10 – Barrel Assembly
- 11 – Compensator
- 12 – Peel Washer/Crush Washer
- 13 – Front Sight
- 14 – Gas Tube
- 15 – Gas Tube Roll Pin

DPR AR-15 RIFLE FUNCTION TEST

(Note: performed after each cleaning and/or disassembly – rifle must pass all checks)

- 1) **Rifle is in a SAFE condition:** Selector on "SAFE", magazine removed, action locked open – check the chamber to be sure it is **EMPTY**. Double check that the Rifle is **UNLOADED!**
All magazines are available and empty. No live ammunition is nearby.
Check the overall appearance of the rifle.
- 2) **Bore Check:** Selector on "SAFE", close the action, push out the takedown pin, hinge-open the upper and lower receivers, remove the bolt/carrier group and look down the bore – *the bore must be clear of obstructions*. Re-install the bolt/carrier group, close up the receivers and re-install the takedown pin. Lock the action open.
Alternate Method: Lock the action open and run a “Bore Snake” or cleaning rod with a patch down the bore to ensure the bore is clear of obstructions.
- 3) **Selector (Safety) Check:** Selector on "SAFE", pull the charging handle to the rear and release to close the action. Now, pull the trigger – *the hammer must not fall*.
- 4) **Semi-Auto/Disconnecter Check:** Move the selector to "SEMI". Pull the trigger to the rear – *the hammer must fall*. Continue holding the trigger to the rear. Pull charging handle to the rear and release while holding the trigger to the rear (*the hammer must not fall – it is being held by the disconnecter*). Next, release the trigger and listen for the "thunk" – (hammer is released from the disconnecter and transferred to the trigger/hammer engagement surface (*hammer still must not fall*)). Now, pull the trigger to the rear - *now the hammer must fall*.
- 5) **Forward Assist Check:** Selector on “SEMI” and action closed. Pull the charging handle about 1 inch to the rear and then slowly ease the charging handle forward, keeping the bolt from going all the way forward and locking. Now depress the forward assist a couple of times- *the bolt must be moved forward and lock into battery position*.
- 6) **Magazines Lock/Release (check all magazines):** Selector on "SEMI" and action closed. Insert an empty magazine into the magazine well – *the magazine must lock securely and it must drop free when the magazine catch is depressed*. Next, lock the action open and insert a magazine – *the magazine must lock securely and must drop free when released with action locked open*. Repeat these checks with all magazines.
- 7) **Bolt Catch Check:** Selector on "SEMI" and action closed. Insert an empty magazine. Pull the charging handle fully to the rear and push forward until the handle latches – *the bolt must stay to the rear*. **Release Checks:** with the action locked open, depress the bolt catch - *bolt must release and move forward, unassisted, to fully-closed/battery position*. Now, re-lock the action to the rear again, latch the charging handle and release the magazine. Next, pull the charging handle fully to the rear and release – *the bolt must release, move forward and fully close*.

DPR AR-15 RIFLE FUNCTION TEST

(Note: performed after each cleaning and/or disassembly – rifle must pass all checks)

- 8) **Rifle in a SAFE condition:** Selector on "SAFE", magazine removed, action locked open and chamber EMPTY. The Function Test is complete.

Continue with numbers 9-11 if this is a Pre-Duty Check:

- 9) **Front/Rear Sight Check:** Inspect the front and rear sights - *they must be in working order.*
- 10) **Accessories Check:** Inspect all accessories such as magazine couplers, optics, tactical light, tactical sling, etc. - *they must all be present, properly installed, clean and in working order.*
Tactical sling - *check to ensure proper sizing adjustment for the officer that will be carrying the rifle.*
- 11) **Duty Carry Condition:**
Rifle is in a safe condition - set selector on "Safe", magazine removed, action locked open and check the chamber to be sure it is EMPTY.
Load all magazines with DPR "duty" ammo- downloaded by 2 from maximum capacity.
Close the action on an empty chamber, close the dust cover, insert a properly loaded magazine into the magazine well and ensure that it is properly seated, and secure the rifle in the vehicle gun lock.

Firearms Inspector Parts Nomenclature Quiz
USE DIAGRAMS AS INDICATED FOR PRE-TRAINING QUIZ

Smith & Wesson M&P 40 Pistol (pg. 10)

Line #	View #	Part Name
1.	(01)	_____
2.	(02)	_____
3.	(03)	_____
4.	(04)	_____
5.	(05)	_____
6.	(06)	_____
7.	(07)	_____
8.	(08)	_____
9.	(09)	_____
10.	(10)	_____
11.	(11)	_____
12.	(12)	_____
13.	(13)	_____
14.	(14)	_____
15.	(15)	_____
16.	(16)	_____
17.	(17)	_____
18.	(18)	_____
19.	(19)	_____
20.	(20)	_____
21.	(21)	_____
22.	(22)	_____
23.	(23)	_____
24.	(24)	_____
25.	(25)	_____
26.	(26)	_____
27.	(27)	_____
28.	(28)	_____
29.	(29)	_____
30.	(30)	_____
31.	(31)	_____
32.	(32)	_____
33.	(33)	_____
34.	(34)	_____
35.	(35)	_____
36.	(36)	_____
37.	(37)	_____
38.	(38)	_____
39.	(39)	_____
40.	(40)	_____

Remington 870 Shotgun:

Line #	View #	Part Name
--------	--------	-----------

Overview (pg. 14)

41.	(3)	
42.	(6)	
43.	(10)	

Barrel Assembly (pg. 15)

44.	(2)	
45.	(8)	
46.	(9)	
47.	(10)	
48.	(11)	

Receiver Assembly (pg. 16)

49.	(5)	
50.	(6)	
51.	(8)	
52.	(10)	

Breech Bolt/Slide/Fore-end Tube Assembly (pg. 17)

53.	(1)	
54.	(5)	
55.	(9)	
56.	(10)	

Fire Control (pg. 18)

57.	(12)	
58.	(13)	
59.	(27)	
60.	(29)	

Stock Assembly (pg. 19)

61.	(2)	
62.	(4)	
63.	(8)	

AR-15 – Bolt/Bolt Carrier Group (pg. 24)

64.	(5)	
65.	(9)	
66.	(7)	
67.	(8)	
68.	(12)	

AR-15 – Upper Receiver Group (pg. 25)

69.	(6)	
70.	(9)	
71.	(11)	

AR-15 – Lower Receiver Group (pg. 26)

73.	(23)	
74.	(19)	
75.	(11)	
76.	(28)	
77.	(29)	
78.	(18)	
79.	(15)	

FIREARMS INSPECTOR REFRESHER TRAINING GROUP 10 AGENDA
September 25-28, 2018

<p>Special Notice: Training program conducted at: Mott Training Center - Annex 2211 Garden Road, Building C Monterey, California 93940 (See map page 42 of syllabus) No live ammo or loaded weapons permitted in the classroom</p>
--

Monday

September 24

1500 REGISTRATION: *Check-in at the Asilomar Administration Building*

Tuesday

September 25

0815-0830	Program Orientation	Hardenbrook/Bayne
0830-0930	Introductions and SAFETY, Course Objectives, Review of Firearms, Inspector Program, Duty Statements, Geographic Areas, Legal Responsibilities and DPR Policies	Hardenbrook
0930-1000	Inspector Handbook, Parts, Tools and Supplies	Hardcastle/Schory/ Butzke
1000-1100	Shipping Weapons, Forms and Recordkeeping Review, FAD	Hardcastle/Schory
1100-1200	S&W M&P – Disassembly/Reassembly Review, Tips & Tricks	Gorman/Shea
1215-1300	<i>Lunch</i>	
1300-1330	Smith & Wesson M&P Pistol Nomenclature Quiz	Gorman/Shea
1330-1400	DPR Pistol Cleaning and Lubrication Methods Review	Walloupe
1400-1500	M&P Pistol Safeties and Cycle of Operation Review (FCCLFUEE)	Gorman/Shea
1500-1700	M&P 40 Pistol – Inspection Methods & Function Test Review	Gorman/Shea

Wednesday

September 26

0815-0830	Review, Comments and Questions	Hardenbrook
0830-0930	Pistol Troubleshooting, Diagnostics and Repairs	Gorman/Shea
0930-1030	S&W M&P 40 Inspection Methods – Student Application	Gorman/Shea
1030-1215	Pistol – Practical Exercises	Hardcastle
1215-1300	<i>Lunch</i>	
1300-1400	870 Shotgun- Disassembly/Reassembly Review, Tips & Tricks	Grady/Van Etten
1400-1430	Remington 870 Shotgun Nomenclature Quiz	Grady/Van Etten
1430-1500	DPR Shotgun Cleaning and Lubrication Methods Review	Walloupe
1500-1600	Shotgun Safeties and Cycle of Operation Review (FCLFUEEC)	Grady/Van Etten
1600-1730	Remington 870 Inspection Methods and Function Test Review	Grady/Van Etten

FIREARMS INSPECTOR REFRESHER TRAINING GROUP 10 AGENDA
September 25-28, 2018

Thursday
September 27

0815-0830	Review, Comments and Questions	Hardenbrook
0830-0930	Shotgun Troubleshooting, Diagnostics and Repairs	Van Etten
0930-1030	Remington 870 Inspection Methods – Student Application	Van Etten
1030-1215	Shotgun – Practical Exercises	Hardcastle
1215-1300	<i>Lunch</i>	
1300-1400	AR-15 – Disassembly/Reassembly Review, Tips and Tricks	Olavarria/Walloupe
1400-1430	Colt AR-15 Nomenclature Quiz	Olavarria/Walloupe
1430-1500	DPR AR-15 Cleaning and Lubrication Methods Review	Walloupe
1500-1600	AR-15 Safeties and Cycle of Operation Review (FCLFUEEC)	Olavarria/Walloupe
1600-1730	Colt AR-15 Inspection Methods and Function Test Review	Olavarria/Walloupe

Friday
September 28

0815-0830	Review, Comments and Questions	Hardenbrook
0830-0930	AR-15 Troubleshooting, Diagnostics and Repairs	Olavarria/Walloupe
0930-1030	Colt AR-15 Inspection Methods – Student Application	Olavarria/Walloupe
1030-1215	AR-15 – Practical Exercises	Hardcastle
1215-1300	<i>Lunch</i>	
1300-1330	Final Exam Review	Hardenbrook
1330-1430	Final Written Exam	Hardenbrook/Staff
1430-1630	Test Fire Firearms/Practical Exam at Various Stations – Nomenclature, Troubleshooting Inspections & Function Tests	Hardcastle/Staff
1630-1700	Final Exam Review	Hardenbrook
1700-1730	Post Training Assignments and Closure	Hardenbrook/Bayne
1800	<i>Dinner and Departure or Overnight at Asilomar</i>	

FIREARMS INSPECTOR REFRESHER TRAINING

PROGRAM PURPOSE AND OBJECTIVES

Orientation, Program Objectives, and Review

Purpose: The participant will understand the objectives of the program, the Department policy limits, and the legal responsibilities and liabilities of a Firearms Inspector.

Performance Objectives: By the close of the session the participant will

1. Meet program instructors and identify Armorers responsible for your District.
2. Review and understand the safety protocols of the classroom, course agenda and program objectives, including achieving a minimum score of 80% on all written exams and quizzes.
3. Review and understand the Firearms Inspector Program: duty statements, geographic coverage areas, Department policy limits and legal responsibilities/liabilities of DPR Firearms Inspectors.
4. Understand that the overall goal of the Armorer/Firearms Inspector Program is to ensure that State Park Peace Officers are carrying clean, reliable and safe firearms on duty at all times.

Shipping Weapons, Forms and Recordkeeping

Purpose: Know the methods, forms, and personnel responsible for shipping various weapons and keeping records of DPR firearms, inspections and repairs.

Performance Objectives: By the close of the session the participant will

1. Understand the proper procedures and documentation necessary for shipping various weapons to Department Armorers or manufacturer repair locations.
2. Use and understand the DPR 824A - M&P Pistol Inspection Checklist, DPR 824B- Remington Shotgun Inspection Checklist and DPR 824C - Colt Rifle Inspection Checklist.
3. Identify and practice recording entries in the Weapons Recordkeeping System.
4. Understand the importance of maintaining a uniform statewide inventory of Department weapons, tracking annual inspections and repairs to those weapons, and producing a variety of annual and other reports.

Pistol, Shotgun and AR-15 Disassembly and Reassembly

Purpose: Know and understand the correct procedures to disassemble and reassemble all 3 DPR firearms: the Smith & Wesson M&P pistol, the Remington 870 shotgun and the Colt AR-15 rifle.

Performance Objectives: By the close of the session the participant will

1. Study the weapon diagrams, parts lists and terminology for the three Department firearm types (prior to class) and be able to demonstrate during the class, correct use of nomenclature and understanding of terminology, including achieving a minimum score on all parts/nomenclature quizzes.
2. Perform, discuss and be able to effectively demonstrate the correct steps and necessary tools needed to disassemble and reassemble any of the three Department issue duty firearms to the satisfaction of the program instructors.

Pistol, Shotgun and AR-15: Safeties and Cycle of Operation

Purpose: To know and understand the cycle of operation of all three DPR firearms: the Smith & Wesson M&P pistol, the Remington 870 shotgun and the Colt AR-15 rifle. The goal of this knowledge is to help the Firearms Inspector better understand how each firearm operates in order to assist in identifying which function of the cycle of operation has been interrupted when troubleshooting a problem, so that the proper repair can be implemented and a safe reliable firearm returned to service in a timely manner.

Performance Objectives: By the close of the session the participant will

1. Identify and understand the cycle of operation of the Smith & Wesson M&P Pistol, the Remington 870 shotgun and the Colt AR-15 rifle, to the satisfaction of the program instructors, including how critical safeties function in all three firearms.

Pistol, Shotgun and AR-15: Inspection Methods and Function Tests

Purpose: To know, understand and demonstrate the correct procedures to disassemble, inspect, reassemble and function test all three DPR firearms: the Smith & Wesson M&P Pistol, the Remington 870 Shotgun and the Colt AR-15 rifle. The goal of these inspections is to ensure that DPR Firearms Inspectors are able to correctly perform complete inspections, without assistance from a program instructor, utilizing the appropriate inspection checklists by the time they complete the course.

Performance Objectives: By the close of the session the participant will

1. Perform, discuss and understand, to the satisfaction of the program instructors, the use of the DPR 824A - Smith & Wesson M&P Pistol Inspection Checklist, DPR 824B - Remington 870 Shotgun Inspection Checklist and the DPR 824C - Colt Rifle Inspection Checklist.

2. Perform, discuss and demonstrate, to the satisfaction of the program instructors, the correct use of tools and methods necessary to perform complete internal inspections on all three of the Department issue firearms utilizing the techniques taught and demonstrated by the Department Armorer/Instructors, including new information and methods presented.
3. Perform, understand and demonstrate, to the satisfaction of the program instructors, the correct Function Test for each of the three Department firearms as a method of quickly testing all important functions or to aid in diagnosing a problem in a weapon without firing it.

Pistol, Shotgun and AR-15: Troubleshooting, Diagnostics and Repairs

Purpose: Correctly diagnose and identify malfunctions and their potential causes, in either the Smith & Wesson M&P pistol, the Remington 870 shotgun or the Colt AR-15 rifle, and be able to instruct field staff on malfunction prevention in all of these firearms.

Performance Objectives: By the close of the session the participant will

1. List several common pistol malfunctions and identify which portion of the pistol cycle of operation has failed or been interrupted.
2. List several common 870 shotgun malfunctions and identify which portion of the shotgun cycle of operation has failed or been interrupted.
3. List several common AR-15 rifle malfunctions and identify which portion of the AR-15 cycle of operation has failed or been interrupted.
4. Explain the importance and potential causes and corrections, within the Firearms Inspectors' capability, for each of the malfunctions listed.

Pistol, Shotgun and AR-15: Cleaning, Lubrication and Maintenance

Purpose: Know the proper equipment and authorized supplies as well as understanding the proper methods for cleaning, lubricating and maintaining the Smith and Wesson M&P pistol, the Remington 870 shotgun and Colt AR-15 rifle.

Performance Objectives: By the close of the session the participant will

1. Use the proper equipment, tools and techniques in order to properly and thoroughly clean, lubricate and maintain the Smith & Wesson M&P pistol, the Remington 870 shotgun and the Colt AR-15 rifle.

Firearms Inspector Practical Problem Solving and Firearm Type Specific Exams

Purpose: Demonstrate sufficient knowledge of overall course material to the satisfaction of the program instructors. Ability to examine sample weapons and/or parts and identify internal problems of a poorly maintained or malfunctioning DPR firearm and take or recommend corrective action. Practice hands-on detection of malfunctions and demonstrate understanding of specific malfunction causes and how to correct or prevent those malfunctions. The goal of these exercises and exams is to ensure that the participant can function, with minimal oversight, as a DPR Firearms Inspector before he/she completes the course.

Performance Objectives: By the close of the session the participant will

1. Devoid of instructor assistance, demonstrate sufficient knowledge and understanding of weapon part names and necessary tools, correctly disassemble, reassemble and perform a complete DPR Function Test of any of the three Department issue firearms to the satisfaction of a program instructor.
2. Shorn of instructor assistance, perform complete inspections of DPR issued pistols, shotguns and rifles, using prescribed methods and tools and using the appropriate Inspection Checklist and proper terminology to record the problem(s) found during an inspection and the corrective measures taken to correct the problem(s) to the satisfaction of the program instructors.
3. Short of instructor assistance, manually inspect sample weapons (pistol, shotgun and rifle) with various typical problems, malfunctions or symptoms, and effectively demonstrate to the satisfaction of a program instructor, the ability to analyze and diagnose the cause of the problem(s) and recommend the appropriate course of action to correct the problem(s).
4. Achieve a minimum score of 80% on all three Firearm Type Specific Written Exams.
5. Successfully test fire, with no malfunctions, a pistol, shotgun and/or rifle after completing inspections on each, as a final check that the firearm is functioning within Smith & Wesson, Remington, Colt and DPR specifications.

FIREARMS INSPECTOR REFRESHER TRAINING – 36 HOURS
EXPANDED COURSE OUTLINE

I. **PROGRAM ADMINISTRATION**

- A. Orientation - Course Registration
- B. Introduction of Armorer/Instructors
- C. Course Objectives

II. **DPR ARMORER/FIREARMS INSPECTOR PROGRAM**

- A. Overview
 - 1. Department Operations Manual (DOM) references.
 - 2. Goal: Maintain all DPR firearms at the highest level of reliability/serviceability.
 - 3. Accomplished by a coordinated system of preventive maintenance techniques, annual inspections, function tests, test firing and when necessary, repairs.
 - 4. Coordinated by factory-trained DPR authorized Armorers.
 - 5. Firearms Inspectors - DPR policy limits level of repair: perform annual inspections, test fires and replace authorized (non-fitted) parts - not authorized to “move” metal (no grinding, filing, stoning or polishing is allowed). Most repairs go to Armorers.
 - 6. DPR Armorers - also perform annual inspections, test fires and perform factory - authorized repairs, including installing fitted parts.
- B. Geographic areas of responsibility (District coverage breakdown)
 - 1. Firearms Inspectors - responsible for weapon maintenance/repair in sector/district.
 - 2. Armorers - coordinate weapon maintenance/repair for several districts.
- C. Legal Aspects and Liabilities:
 - 1. Law enforcement firearms are used to protect or possibly to take a life, therefore reliability and performance of the firearm are critical.
 - 2. Liability potential is high - stay within the scope of your training and program guidelines.

III. **PARTS, TOOLS, SUPPLIES AND SAFETY**

- A. Distribute parts, tools and supplies to students
- B. Classroom Safety Rules
 - 1. No loaded weapons of any kind or live ammunition in the classroom.
 - 2. Only weapons checked by an instructor are allowed in the classroom.
 - 3. Assembled weapons will be “benched” with the bolt or slide locked open and the ejection port facing up and visible.
 - 4. Dry firing and function tests will only be done at the direction of an instructor.

IV. SHIPPING WEAPONS, FORMS AND RECORDKEEPING REVIEW

- A. Review general weapon shipping policies
 - 1. Ship in 2 separate packages - 1 for frame/receiver and magazines, and 1 for slide/barrel.
 - 2. Appropriately filled-out Repair Tag include Inspection Checklist and DPR 153D.
 - 3. Description of items to be shipped – Gun Parts. Ensure each box for \$400+.
- B. Different policy for shipping items to Smith & Wesson for warranty repairs:
 - 1. Coordinate with your Armorer, contact S&W for return shipping instructions, 1 package.
- C. Review recordkeeping forms used by Firearms Inspectors and Armorers:
 - 1. Weapons Log Sheet, Firearms Database, Firearms Inspection Record, Annual DPR Weapon Inspection Report and Checklists - DPR 824A, B and C.
 - 2. Other forms: DPR 153A, B and C; Second Weapons - DPR 755 and DPR 845; Inspection/Repair Tag and purchase documents for obtaining parts and tools.
- D. Review recordkeeping flow chart and responsibilities.

V. SMITH & WESSON M&P 40 – DISASSEMBLY/REASSEMBLY REVIEW, TIPS AND TRICKS

- A. Armorer demonstration and discussion of field-strip to major components and then complete disassembly/reassembly of the M&P 40 pistol - problem areas and “tips”.
- B. Supervised student application and practice of disassembly/reassembly methods.

VI. PISTOL SAFETIES, LEVERS AND CYCLE OF OPERATION REVIEW (FCLFUEEC)

- A. Review function and operation of the various levers and how they relate to the particular safety features found in the Smith & Wesson M&P pistol.
- B. Review the cycle of operation of the Smith & Wesson M&P striker-fired pistol.
 - 1. Review diagrams from the Firearms Inspector Handbook.
 - 2. Demonstrate various parts of the cycle of operation using an M&P demo pistol.

VII. SMITH & WESSON M&P 40 INSPECTION METHODS AND FUNCTION TEST REVIEW

- A. Discuss the new M&P 40 pistol inspection methods relative to the past 4006 functions and inspection methods using the DPR 824A - Smith & Wesson M&P 40 Pistol Inspection Checklist form.
- B. Armorer inspection methods demonstration - problem areas and “tips”.
- C. Supervised student application of pistol inspection methods, using the DPR 824A.
- D. Demonstration and student practice of post-inspection DPR Pistol Function Test.

VIII. PISTOL TROUBLESHOOTING, DIAGNOSTICS AND REPAIRS

- A. Review potential pistol malfunctions or problems that may occur - identifying causes.
- B. Review difficulties encountered in troubleshooting specific problems:
 - 1. Accurate description of the malfunction/symptoms and replicating the problem.
 - 2. Diagnose which cycle of operation function is failing - feed, fire, extract, etc.
 - 3. Try to isolate the condition by removing one variable (i.e. parts) at a time.
- C. Methods and repairs to prevent or eliminate specific pistol malfunctions.

IX. SMITH & WESSON M&P 40 - CARE AND MAINTENANCE

- A. Review DPR pistol cleaning, lubrication and maintenance methods.
 - 1. General concepts of cleaning and lubrication used in DPR Firearms Maintenance.
 - 2. DPR materials - Bore Snake, BreakFree CLP and BreakFree Citrus Cleaner.
 - 3. Demonstrate and discuss proper procedures, techniques and rationale for cleaning, lubrication and maintenance of the Smith & Wesson M&P pistol.
 - 4. Supervised student application - proper cleaning and lubrication of the M&P pistol.
 - 5. Preventive maintenance and storage policies.

X. REMINGTON 870 SHOTGUN – DISASSEMBLY/REASSEMBLY REVIEW, TIPS AND TRICKS

- A. Armorer demonstration/discussion of field-strip to major components, then complete disassembly/reassembly of the Remington 870 shotgun - problem areas and “tips”.
- B. Supervised student application and practice of disassembly/reassembly methods.

XI. SHOTGUN SAFETIES AND CYCLE OF OPERATION REVIEW (FCLFUEEC)

- A. Review function and operation of the various parts and how they relate to the particular safety features found in the Remington pump-action shotgun.
- B. Review the cycle of operation of the Remington pump-action shotgun.
 - 1. Review diagrams from the Firearms Inspector Handbook.
 - 2. Demonstrate various parts of the cycle of operation using “cut-away” shotgun.

XII. REMINGTON SHOTGUN INSPECTION METHODS AND FUNCTION TEST REVIEW

- A. Discuss new information relative to Remington 870 Inspection Methods including revisions to the DPR 824B - Remington 870 Shotgun Inspection Checklist form.
- B. Armorer inspection methods demonstration - problem areas and “tips”.
- C. Supervised student application of shotgun inspection methods, using the DPR 824B.
- D. Demonstration and student practice of post-inspection DPR Shotgun Function Test.

XIII. SHOTGUN TROUBLESHOOTING, DIAGNOSTICS AND REPAIRS

- A. Review potential shotgun malfunctions or problems that may occur - identifying causes.
- B. Review difficulties encountered in troubleshooting specific problems:
 - 1. Accurate description of the malfunction/symptoms and replicating the problem.
 - 2. Diagnose which cycle of operation function is failing - feed, fire, extract, etc.
 - 3. Try to isolate the condition by removing one variable (i.e. parts) at a time.
- C. Methods and repairs to prevent or eliminate specific shotgun malfunctions.

XIV. REMINGTON 870 SHOTGUN - CARE AND MAINTENANCE

- A. Review DPR shotgun cleaning, lubrication and maintenance methods.
 - 1. General concepts of cleaning and lubrication used in DPR Firearms Maintenance.
 - 2. DPR materials - Bore Snake, BreakFree CLP and BreakFree Citrus Cleaner.
 - 3. Demonstrate and discuss proper procedures, techniques and rationale for cleaning, lubrication and maintenance of the Remington shotgun.
 - 4. Supervised student application - proper cleaning and lubrication of the shotgun.
 - 5. Preventive maintenance and storage policies.

XV. COLT AR-15 - DISASSEMBLY/REASSEMBLY REVIEW, TIPS AND TRICKS

- A. Armorer demonstration/discussion of field-strip to major components, then complete disassembly/reassembly of the Colt AR-15 patrol rifle - problem areas and "tips".
- B. Supervised student application and practice of disassembly/reassembly methods.

XVI. AR-15 SAFETIES AND CYCLE OF OPERATION REVIEW (FCLFUEEC)

- A. Review function and operation of the various parts and how they relate to the particular safety features found in the Colt AR-15 rifle.
- B. Review the cycle of operation of the Colt AR-15 rifle.
 - 1. Review diagrams from the Firearms Inspector Handbook.
 - 2. Demonstrate various parts of the cycle of operation using the "cut-away" AR-15.

XVII. COLT AR-15 INSPECTION METHODS AND FUNCTION TEST REVIEW

- A. Discuss new information relative to Colt AR-15 Inspection Methods including revisions to the DPR 824C - Colt AR-15 Patrol Rifle Inspection Checklist form.
- B. Armorer inspection methods demonstration - problem areas and "tips".
- C. Supervised student application of AR-15 inspection methods, using the DPR 824C.
- D. Demonstration and student practice of post-inspection DPR AR-15 Function Test.

XVIII. AR-15 TROUBLESHOOTING, DIAGNOSTICS AND REPAIRS

- A. Review potential AR-15 malfunctions or problems that may occur - identifying causes.
- B. Review difficulties encountered in troubleshooting specific problems:
 - 1. Accurate description of the malfunction/symptoms and replicating the problem.
 - 2. Diagnose which cycle of operation function is failing - feed, fire, extract, etc.
 - 3. Try to isolate the condition by removing one variable (i.e. parts) at a time.
- C. Methods and repairs to prevent or eliminate specific AR-15 malfunctions.

XIX. COLT AR-15 - CARE AND MAINTENANCE

- A. Review DPR AR-15 cleaning, lubrication and maintenance methods.
 - 1. General concepts of cleaning and lubrication used in DPR Firearms Maintenance.
 - 2. DPR materials - Bore Snake, BreakFree CLP and BreakFree Citrus Cleaner.
 - 3. Demonstrate and discuss proper procedures, techniques and rationale for cleaning, lubrication and maintenance of the Colt AR-15 rifle.
 - 4. Supervised student application - proper cleaning and lubrication of the AR-15.
 - 5. Preventive maintenance and storage policies.

XX. REVIEW, COMMENTS AND QUESTIONS

XXI. FINAL WRITTEN EXAM

XXII. M&P 40 PISTOL, 870 SHOTGUN AND AR-15 PRACTICAL EXAM

XXIII. TEST FIRE ALL WEAPONS AND WEAPON CLEANING

XXIV. POST-TRAINING ASSIGNMENTS, SUMMARY AND CLOSURE

Training Center, 837 Asilomar Blvd., Pacific Grove, CA 93950

